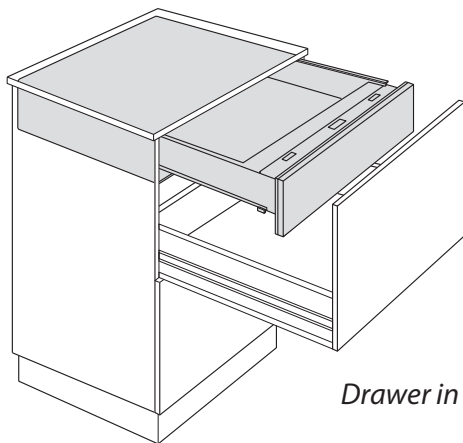
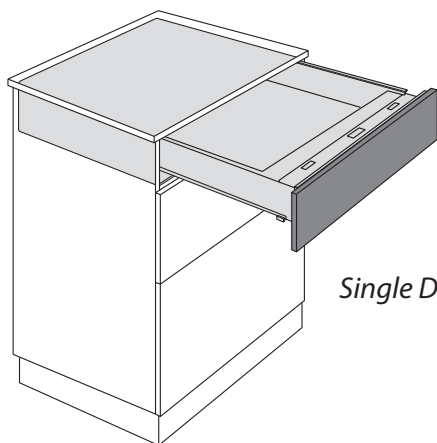


*Drawer in Drawer and Single Drawer*



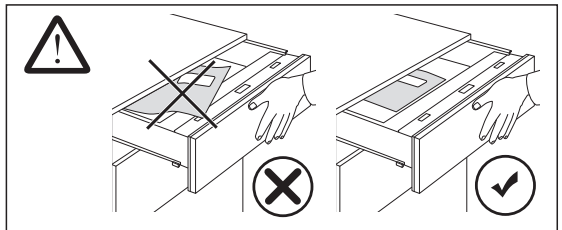
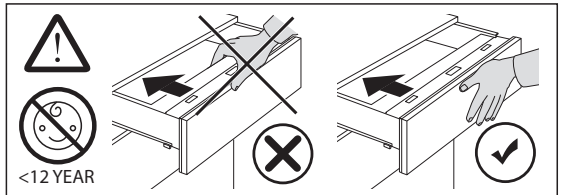
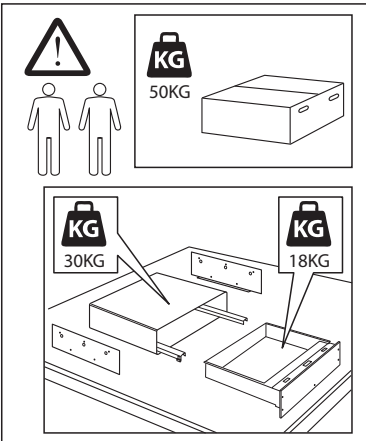
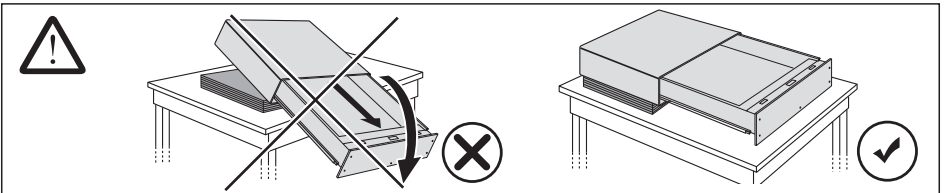
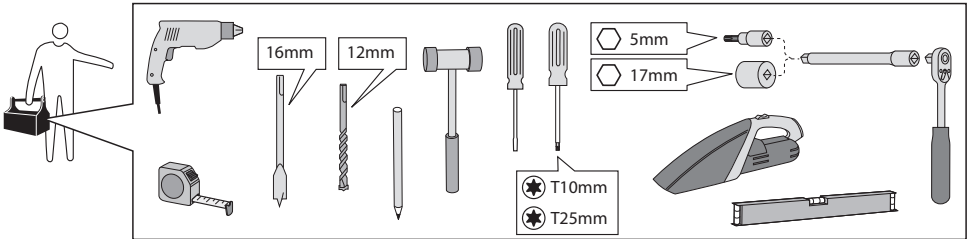
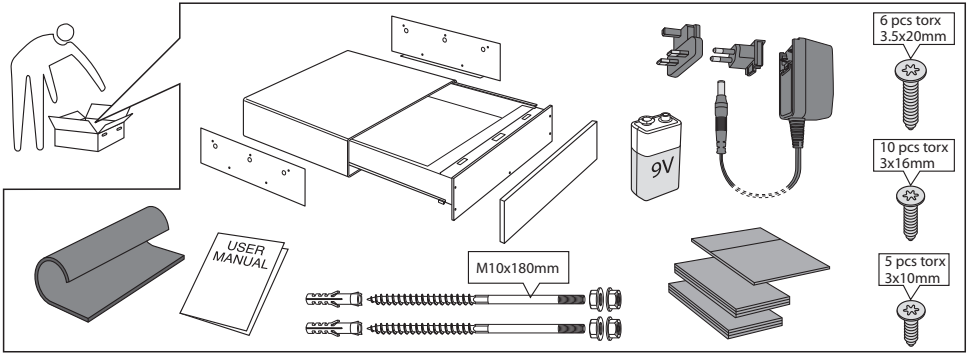
*Drawer in Drawer*



*Single Drawer*

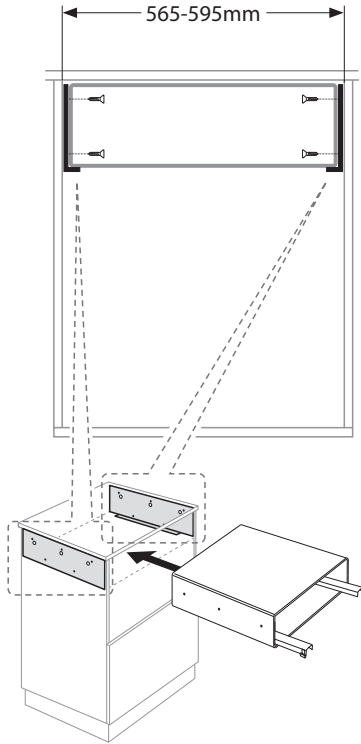
**Chubbsafes**  
*Trusted the world over.*

# Installation "Drawer in Drawer" and "Single Drawer"

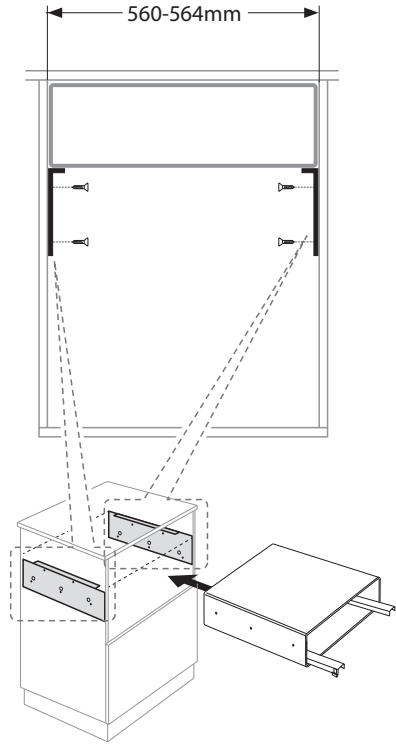


# Installation "Drawer in Drawer" and "Single Drawer"

Alternative 1 → Page 4

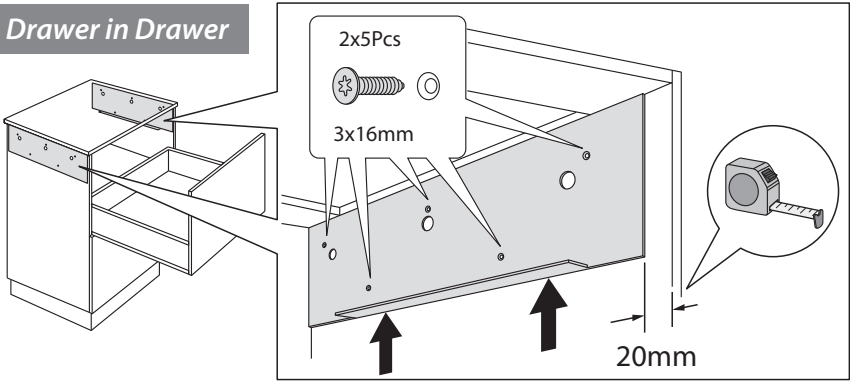


Alternative 2 → Page 5

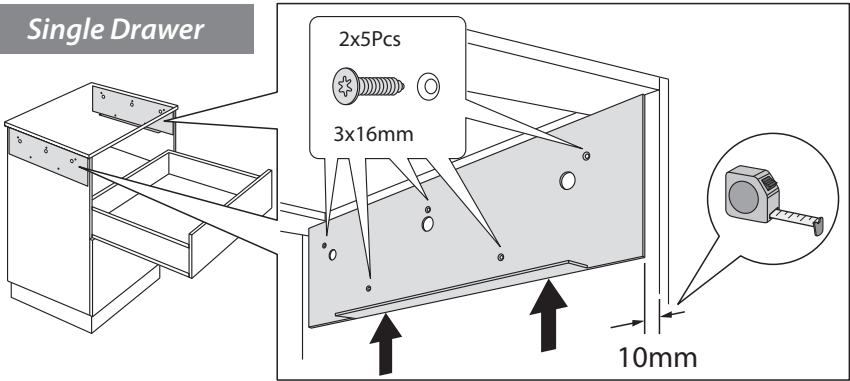


Installation "Drawer in Drawer" and "Single Drawer" Alt. 1

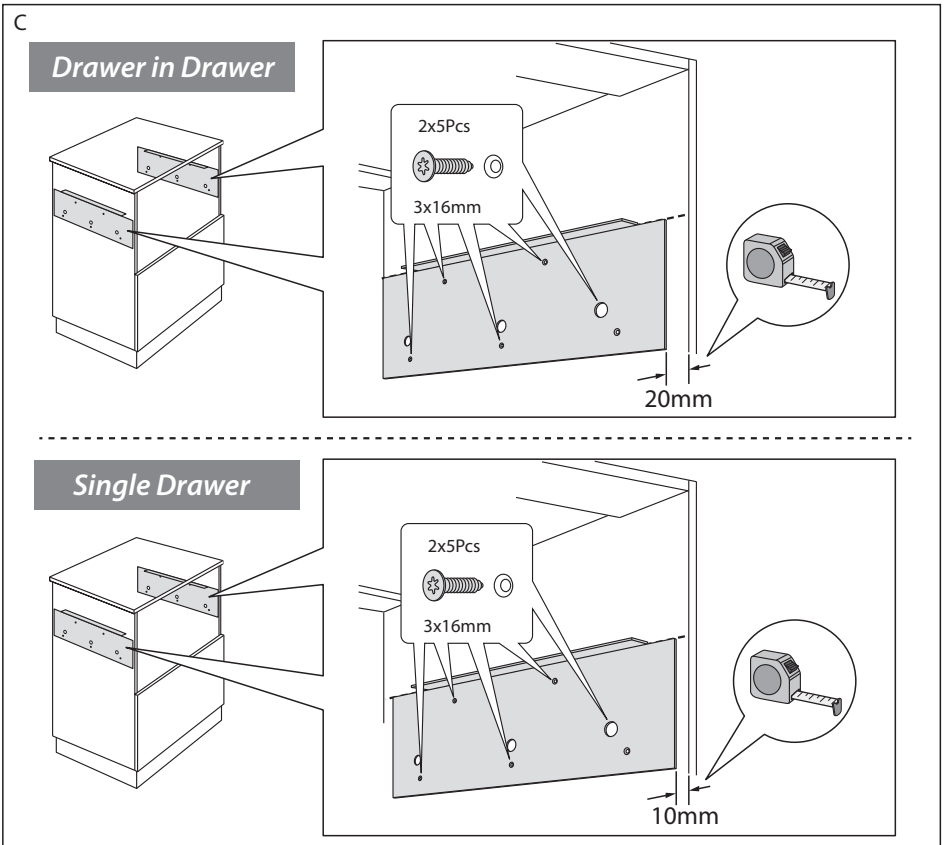
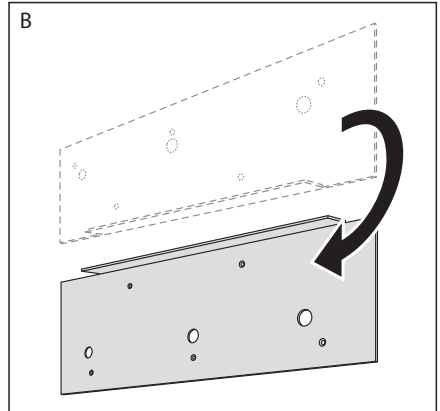
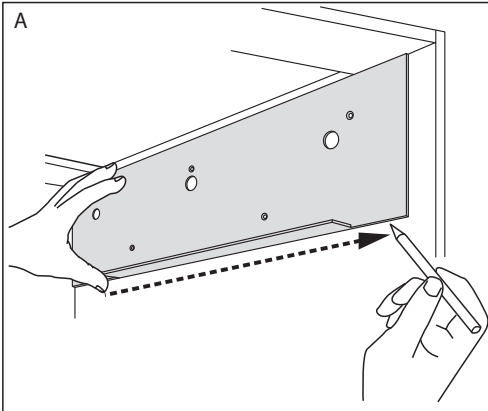
Drawer in Drawer



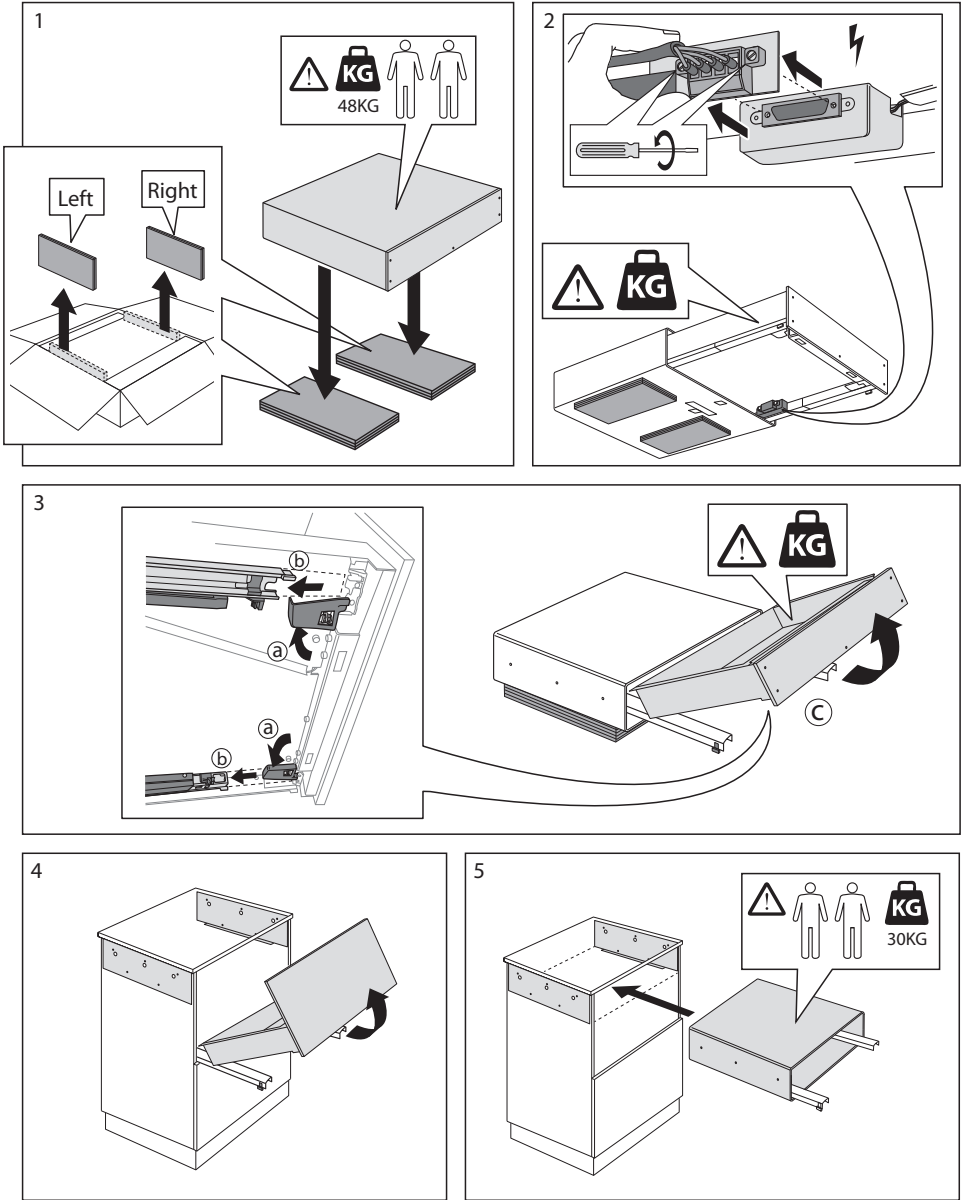
Single Drawer



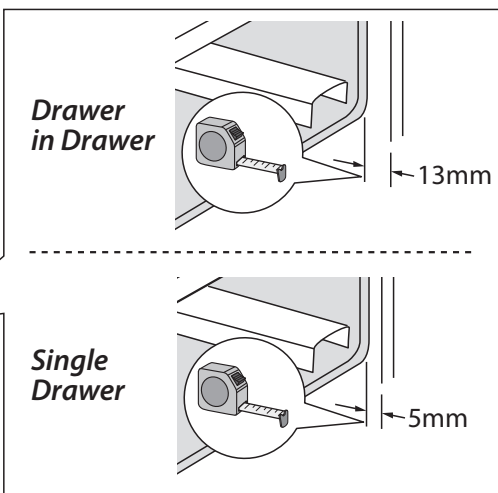
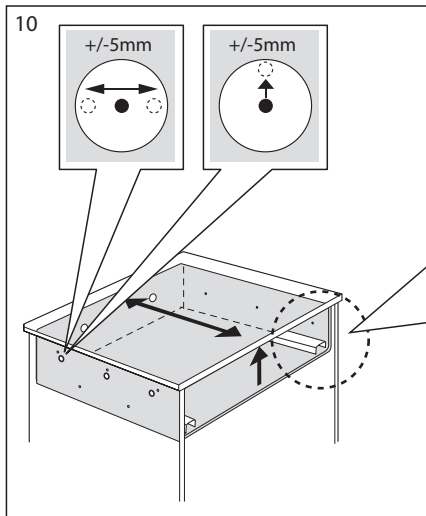
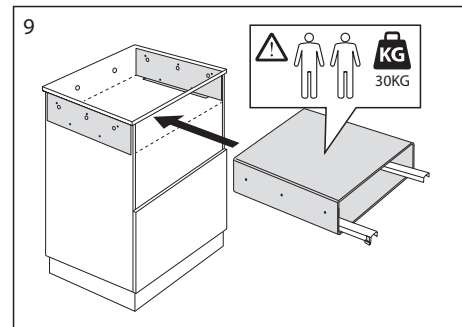
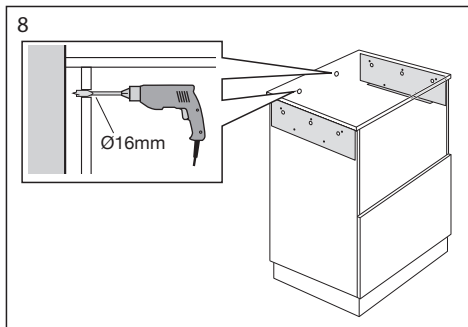
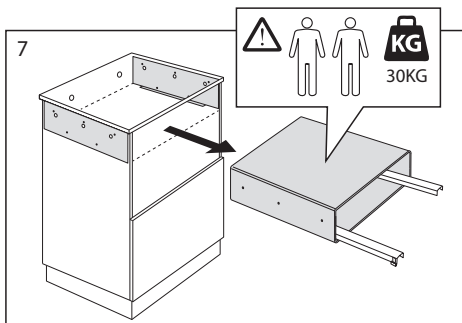
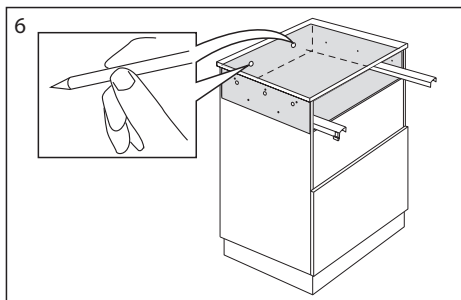
# Installation "Drawer in Drawer" and "Single Drawer" Alt. 2



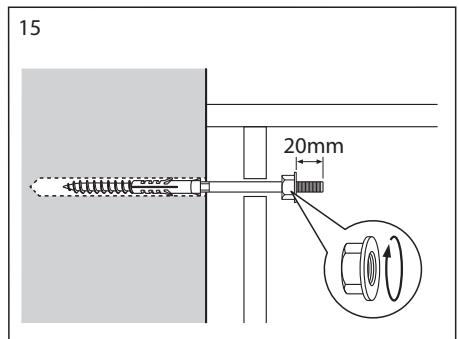
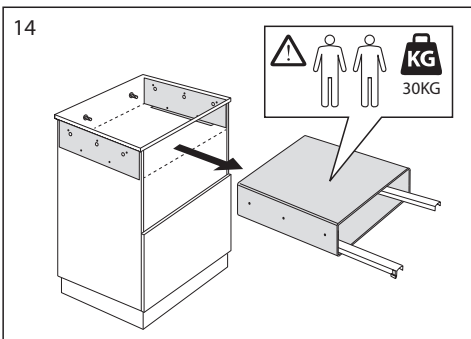
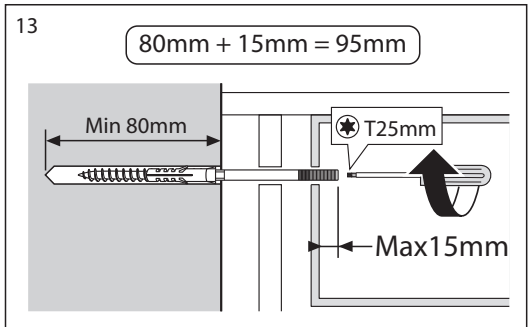
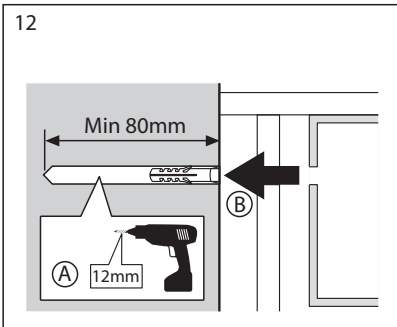
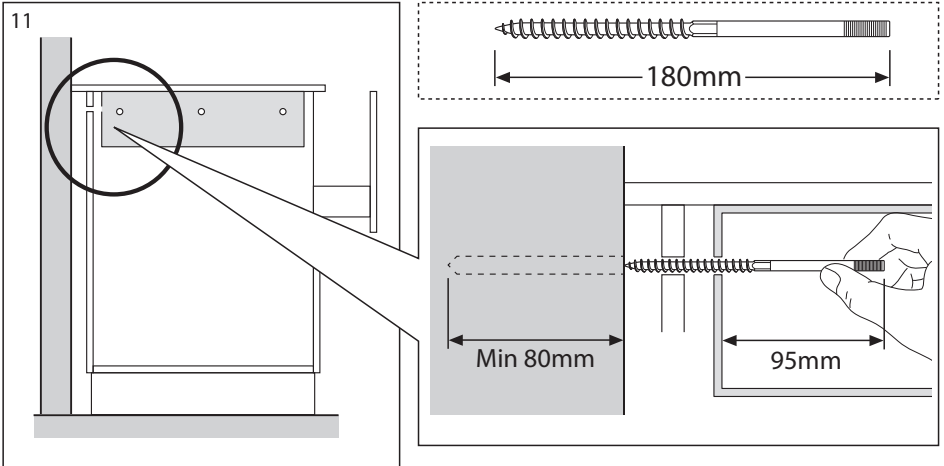
# Installation "Drawer in Drawer" and "Single Drawer"



# Installation "Drawer in Drawer" and "Single Drawer"

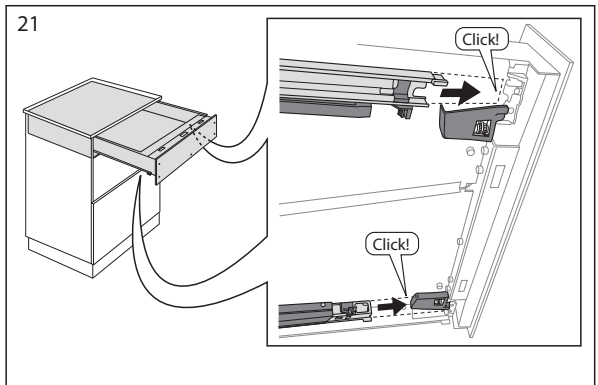
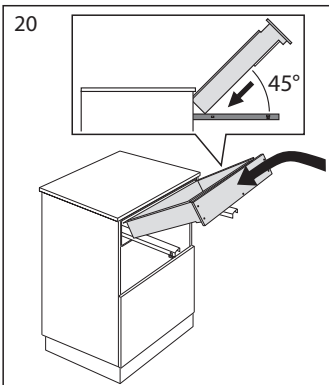
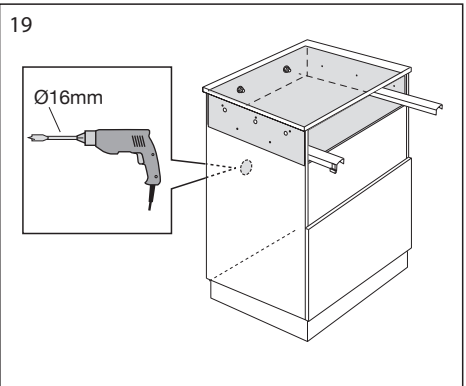
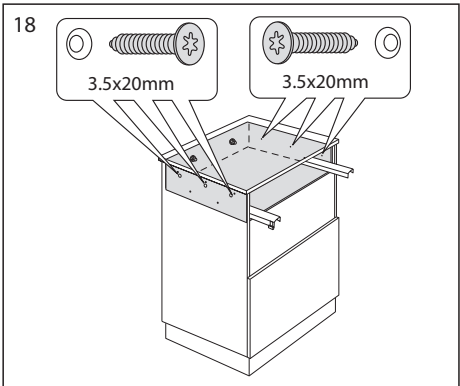
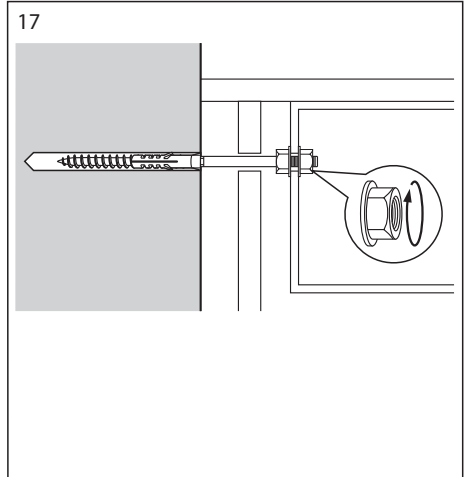
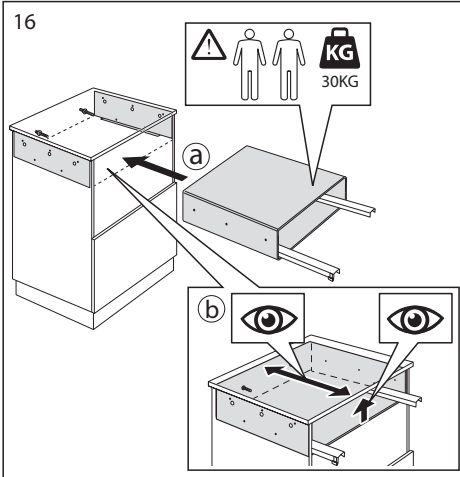


# Installation "Drawer in Drawer" and "Single Drawer"



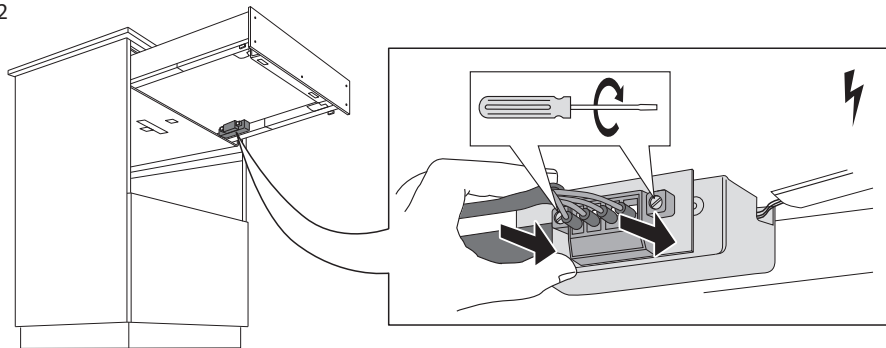


# Installation "Drawer in Drawer" and "Single Drawer"

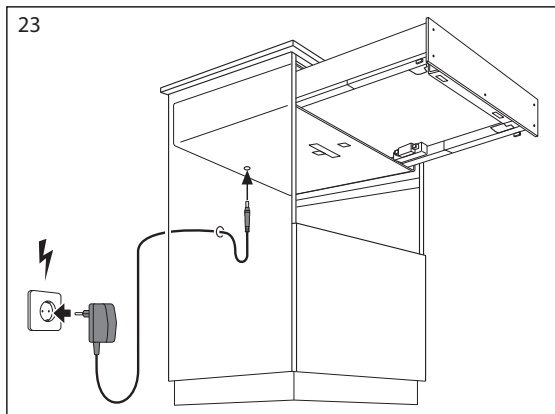


## Installation "Drawer in Drawer" and "Single Drawer"

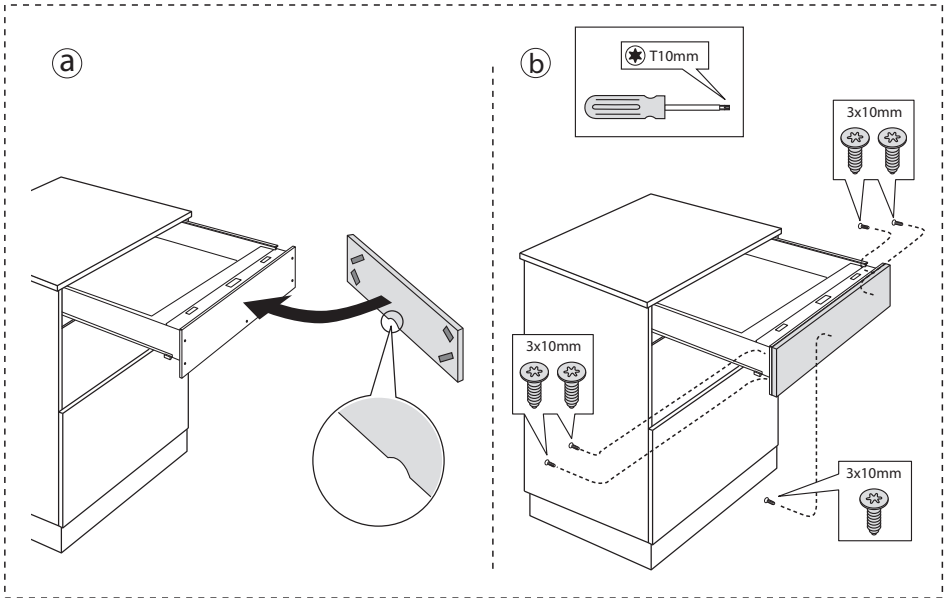
22



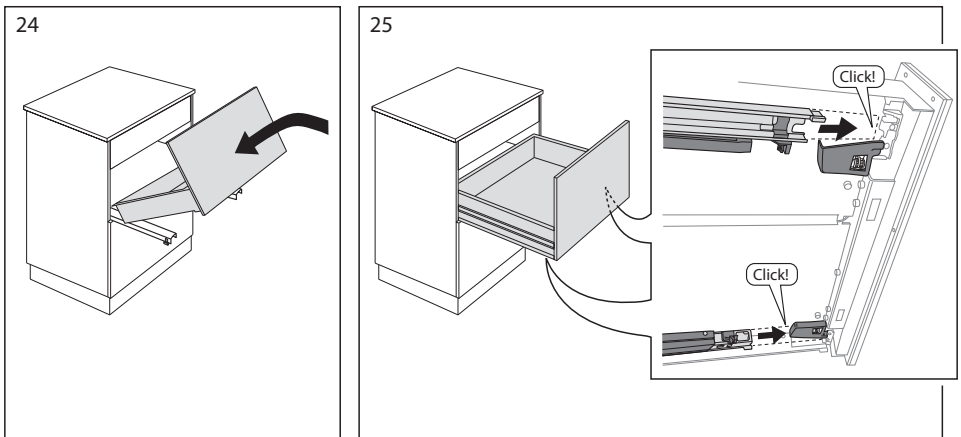
23



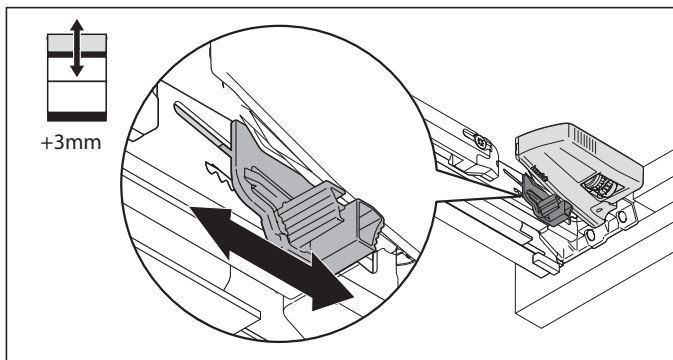
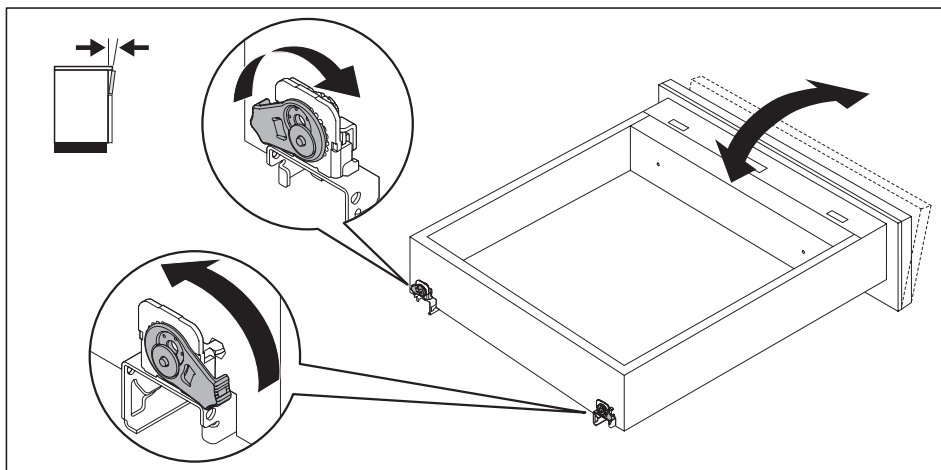
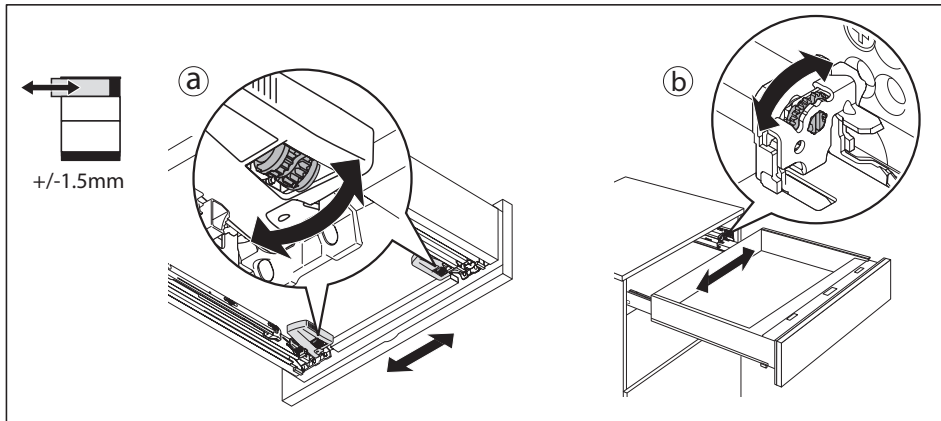
## Installation wooden front plate "Single Drawer"



## Installation "Drawer in Drawer" and "Single Drawer"



## Alignment of the safe drawer in the housing

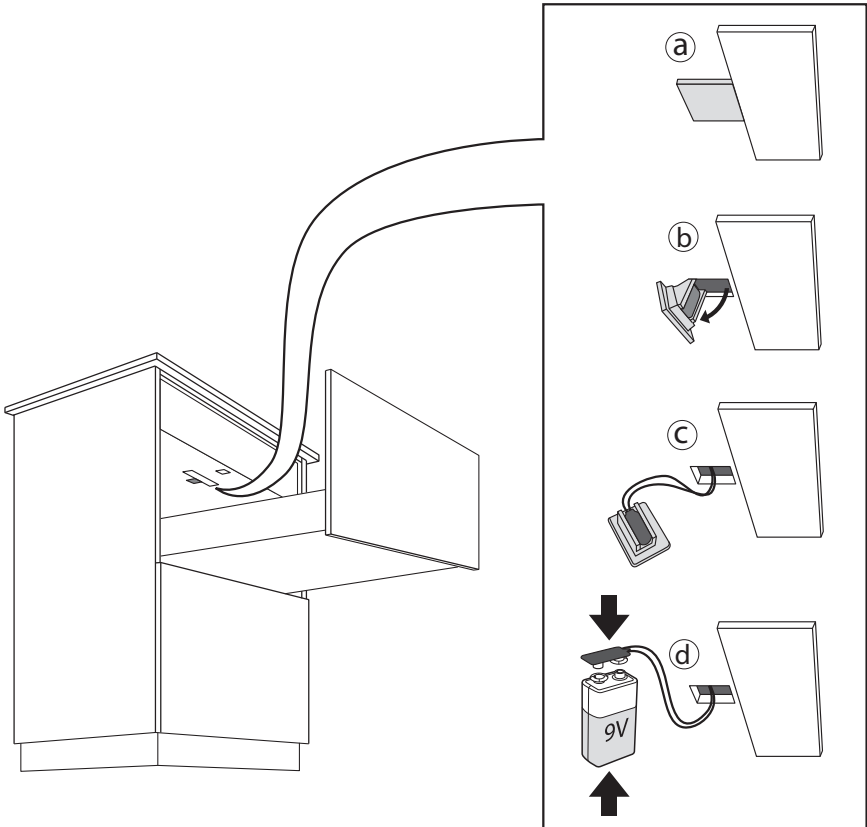


Drawer is preset in factory. Adjusting the slides can affect the function of the safe!

## Emergency Power via Backup Battery



For use in emergency situations - during a loss of electricity - only. Please store the backup battery separately and outside of your EverydaySafe, and only attach it when needed during a loss of electricity.

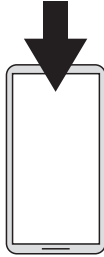


# Installing the App

1



Chubb safes

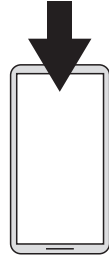


Download the app:  
Chubb safes



Chubb safes

Chubb safes

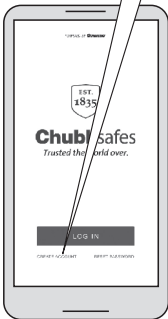


Download the app:  
Chubb safes

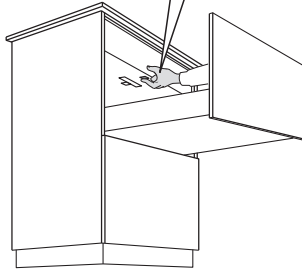
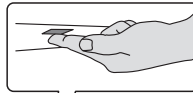
2



Start the app  
and create  
account.

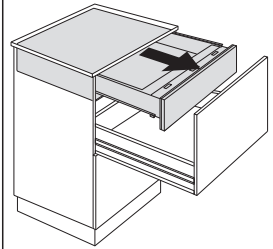


3



Place your finger on the biometric  
scanner. Don't push, just place.

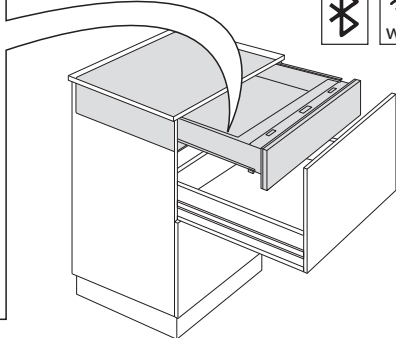
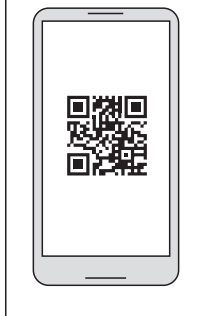
4



5

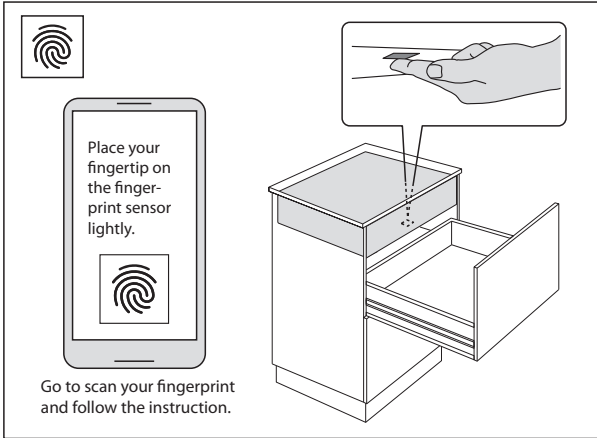


6

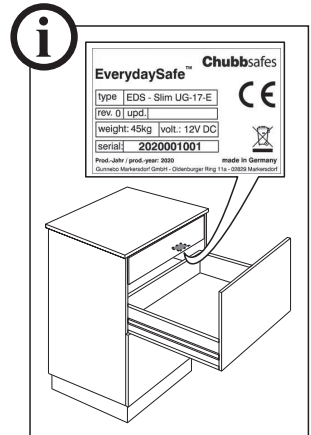
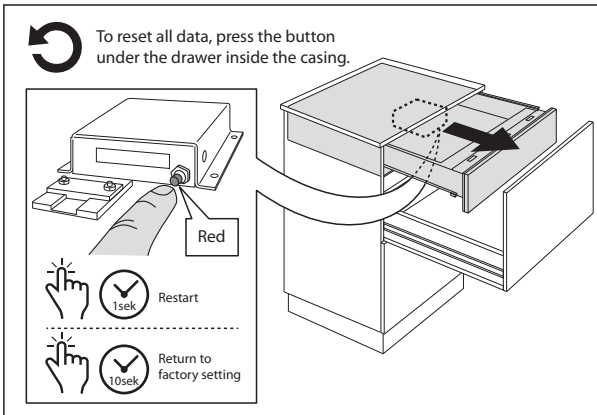


Scan the QR code and follow the instruction.

## Installing the App



## Return to factory setting



**Chubbsafes**  
*Trusted the world over.*

[www.chubbsafes.com](http://www.chubbsafes.com)

11 March 2021

'Chubb' is owned by Chubb plc and is a registered trademark used under licence